

Whatley

## Decorative Acorn Fixtures



INNOVATIVE SITE &  
STREET LIGHTING

# Whatley Acorn Series



## INDEX

Acorns with internal optics	4
Glass Refractive Acorn Lenses	6
Acrylic Refractive Acorn Lenses	8
Arms for pole and wall mounting	10
Color Chart	11
Specifications	11

### 3 types of Acorn designs

- Textured lenses with an internal reflector or refractor
- Glass refractive lens
- Acrylic refractive lens

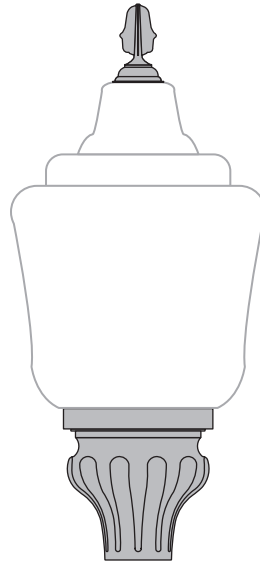


# Acorns Lens with Internal Optics

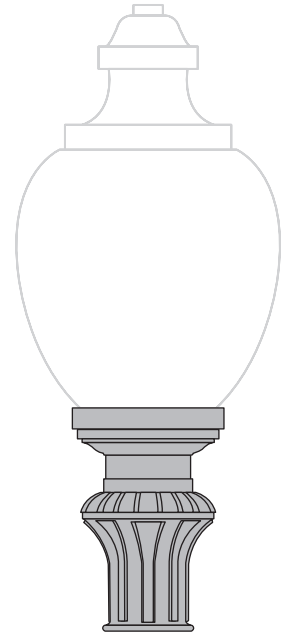
4



DF3-L3-AC2



DF1-AC3-FNL



DF3-AC1

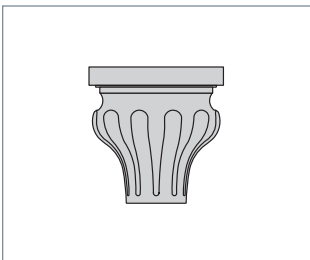
## SAMPLE CATALOG LOGIC

A FITTER	B OPTICS	C LENS	D WATTAGE/LAMP	VOLTAGE	E COLOR	F OPTIONS	PG10 ARM	POLE	BASE
DF2	LVR	AC2	100MH	277	MTB	FNL	•	see Decorative Pole brochure	
DF4	L3	AC1	50MH	120	HTG	PCL	•	see Decorative Pole brochure	
DF1	FDR	AC3	150MH	277	DGR	CG1, FNL	•	see Decorative Pole brochure	

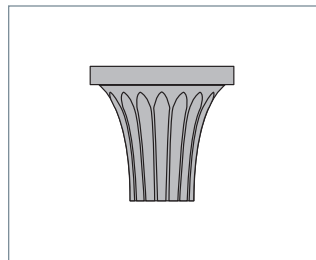
\* Arms on page 10.

## A Decorative Fitter

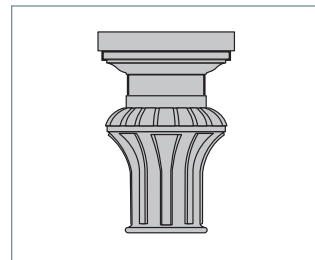
All fitters slip over a three inch diameter by three inch tall tenon.



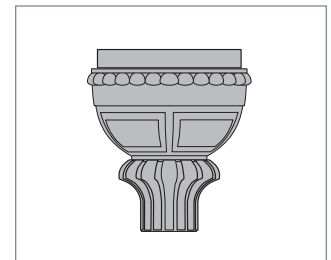
**DF1** HEIGHT  
EPA=1.64 9"/229mm



**DF2** HEIGHT  
EPA=1.59 9.5"/241mm

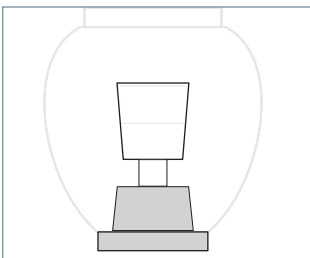


**DF3** HEIGHT  
EPA=1.73 13.2"/355mm

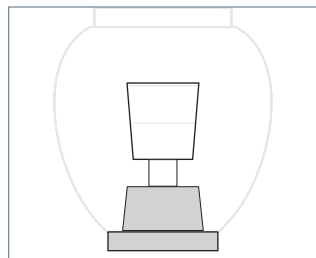


**DF4** HEIGHT  
EPA=1.77 12"/305mm

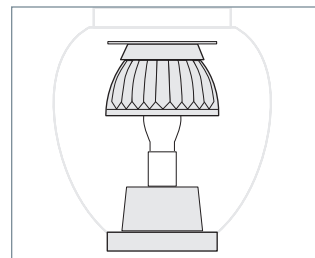
## B Optics



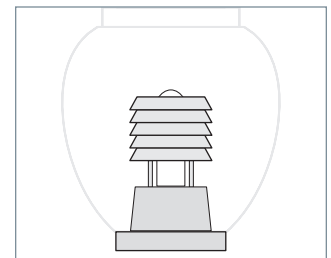
**L3**  
Type 3 glass refractor



**L5**  
Type 5 glass refractor



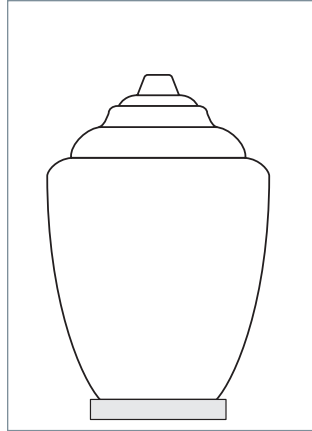
**FDR**  
Semi-cutoff reflector



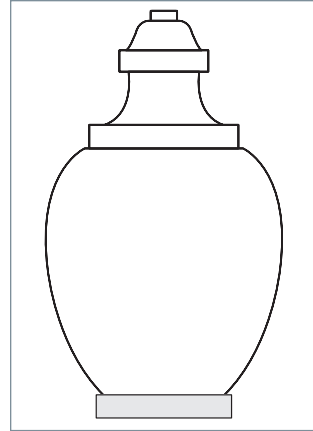
**LVR**  
Stepped low glare louvers

## C Lens

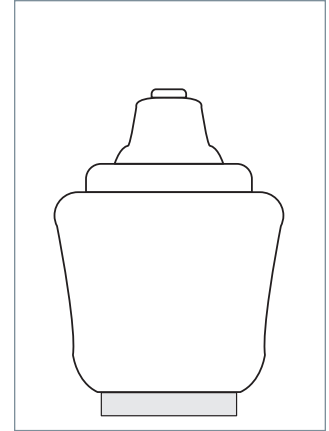
All lenses are molded in either DR acrylic or polycarbonate material with a textured surface to conceal the internal components.



<b>AC1</b>	DR ACRYLIC
<b>LX1</b>	POLYCARBONATE
DIAMETER	HEIGHT
15"/381	23.5"/597mm



<b>AC2</b>	DR ACRYLIC
<b>LX2</b>	POLYCARBONATE
DIAMETER	HEIGHT
16"/406	27"/686mm



<b>AC3</b>	DR ACRYLIC
<b>LX3</b>	POLYCARBONATE
DIAMETER	HEIGHT
15.5"/394	20.5"/521mm

5

## D Wattage/Lamp

CAT. No. DESCRIPTION

<b>50MH</b>	50 watt Metal Halide, medium base socket, specify voltage: 120, 277, or multitap.
<b>70MH</b>	70 watt Metal Halide, medium base socket, specify voltage: 120, 208, 240, 277, or multitap.
<b>100MH</b>	100 watt Metal Halide, medium base socket, specify voltage: 120, 208, 240, 277, or multitap.
<b>150MH</b>	150 watt Metal Halide, medium base socket, specify voltage: 120, 208, 240, 277, or multitap.
<b>175MH</b>	175 watt Metal Halide, medium base socket, specify voltage: 120, 208, 240, 277, or multitap.
<b>50HPS</b>	50 watt High Pressure Sodium, medium base socket, specify voltage: 120, 277, or multitap.
<b>70HPS</b>	70 watt High Pressure Sodium, medium base socket, specify voltage: 120, 208, 240, 277, or multitap.
<b>100HPS</b>	100 watt High Pressure Sodium, medium base socket, specify voltage: 120, 208, 240, 277, or multitap.
<b>150HPS</b>	150 watt High Pressure Sodium, medium base socket, specify voltage: 120, 208, 240, 277, or multitap.

## E Colors

Color chart on page 11

<b>BLK</b>	Black
<b>MTB</b>	Matte Black
<b>DBZ</b>	Dark Bronze
<b>DBZ</b>	Dark Green
<b>HTG</b>	Hunter Green
<b>SLV</b>	Silver
<b>WHT</b>	White
<b>GRY</b>	Grey

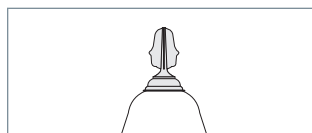
CC

Custom color - Please provide a min. 3" x 3" color chip.

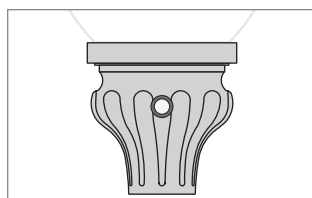
RAL

Please provide a four digit RAL color number.

## F Options



**FNL**  
Cast aluminum finial

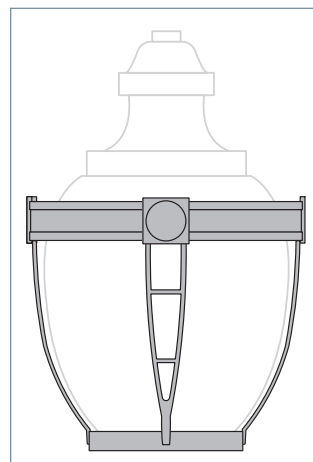


**PHOTOCELL**

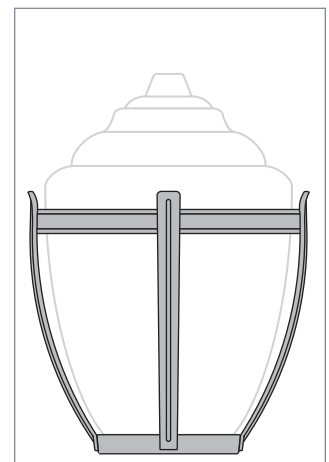
**PCL** 120 volt

**PCL2** 208-277 volt

**TLP** Twist lock photocell receptacle on hinged door for DF4 fitter only.



**CG1**  
Cast aluminum cage



**CG2**  
Cast aluminum cage

# Glass Refractive Acorns

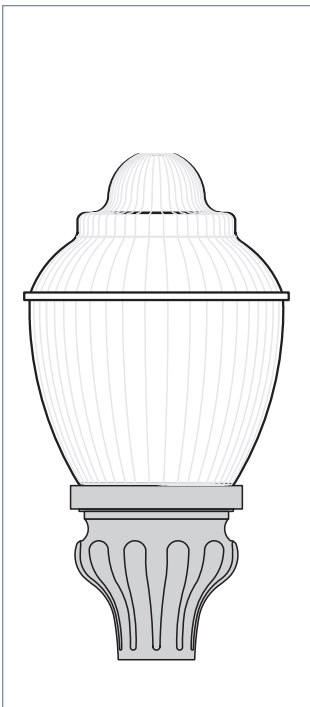
6



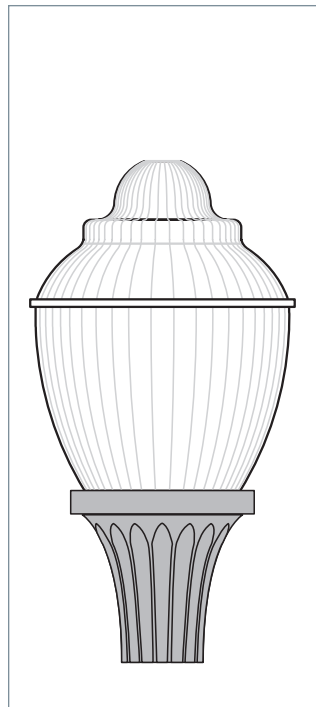
The acorn lenses are precision molded of borosilicate glass. The lenses are available with a symmetric type 5 or asymmetric type 3 lighting distribution. The molded in prisms efficiently refract the light for highly efficient operation.

## Decorative Fitter with Refractive Glass Acorn

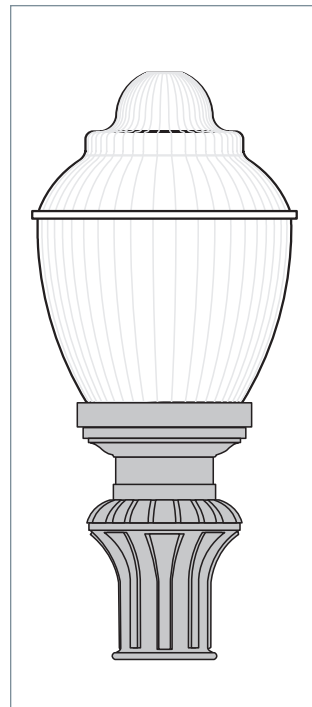
All fitters slip over a three inch diameter by three inch tall tenon.



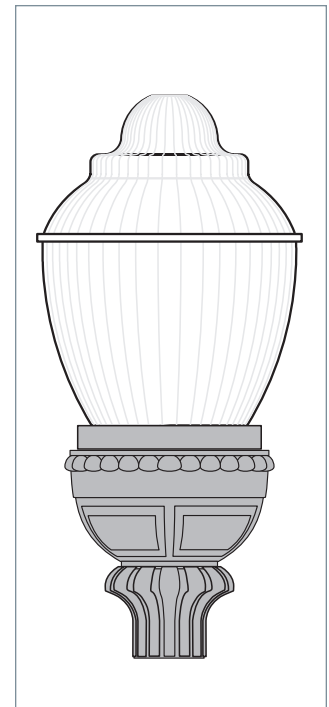
DF1-RA3	type 3
DF1-RA5	type 5
WIDTH	HEIGHT
14"/356mm	26"/660mm
EPA=1.22	WEIGHT: 40 LBS



DF2-RA3	type 3
DF2-RA5	type 5
WIDTH	HEIGHT
14"/356mm	26"/660mm
EPA=1.17	WEIGHT: 40 LBS



DF3-RA3	type 3
DF3-RA5	type 5
WIDTH	HEIGHT
14"/356mm	29"/737mm
EPA=1.31	WEIGHT: 42 LBS



DF4-RA3	type 3
DF4-RA5	type 5
WIDTH	HEIGHT
14"/356mm	27"/686mm
EPA=1.35	WEIGHT: 42 LBS

**SAMPLE CATALOG LOGIC**

FITTER/LENS	WATTAGE/LAMP	VOLTAGE	COLOR	OPTIONS	ARM	POLE	BASE
DF2-RA5	100MH	277	MTB	FNL	•	see Decorative Pole brochure	
DF4-RA3	150HPS	208	HTG	PCL2	•	see Decorative Pole brochure	

\* Arms on page 10.

**Wattage/Lamp**

CAT. NO. DESCRIPTION

<b>50MH</b>	50 watt Metal Halide, medium base socket, specify voltage: 120, 277, or multimap.
<b>70MH</b>	70 watt Metal Halide, medium base socket, specify voltage: 120, 208, 240, 277, or multimap.
<b>100MH</b>	100 watt Metal Halide, medium base socket, specify voltage: 120, 208, 240, 277, or multimap.
<b>150MH</b>	150 watt Metal Halide, medium base socket, specify voltage: 120, 208, 240, 277, or multimap.
<b>175MH</b>	175 watt Metal Halide, medium base socket, specify voltage: 120, 208, 240, 277, or multimap.
<b>250MH</b>	250 watt Metal Halide, mogul base socket, specify voltage: 120, 208, 240, 277, or multimap.
<b>50HPS</b>	50 watt High Pressure Sodium, medium base socket, specify voltage: 120, 277, or multimap.
<b>70HPS</b>	70 watt High Pressure Sodium, medium base socket, specify voltage: 120, 208, 240, 277, or multimap.
<b>100HPS</b>	100 watt High Pressure Sodium, medium base socket, specify voltage: 120, 208, 240, 277, or multimap.
<b>150HPS</b>	150 watt High Pressure Sodium, medium base socket, specify voltage: 120, 208, 240, 277, or multimap.
<b>250HPS</b>	250 watt High Pressure Sodium, mogul base socket, specify voltage: 120, 208, 240, 277, or multimap.

**E Colors**

Color chart on page 11

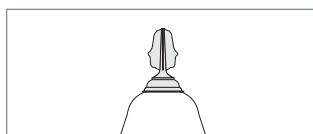
BLK	Black
MTB	Matte Black
DBZ	Dark Bronze
DBZ	Dark Green
HTG	Hunter Green
SLV	Silver
WHT	White
GRY	Grey

CC

Custom color - Please provide a min. 3" x 3" color chip.

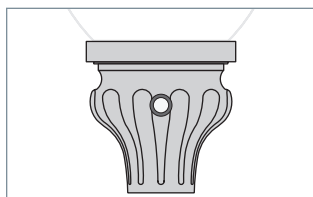
RAL

Please provide a four digit RAL color number.

**F Options**

**FNL**

Cast aluminum finial

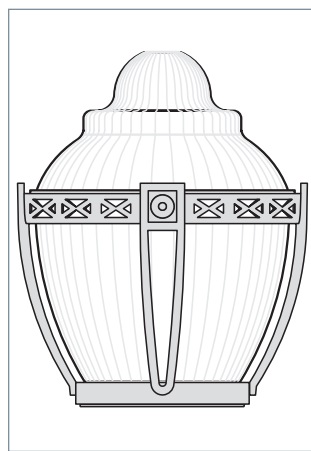


**PHOTOCELL**

**PCL** 120 volt

**PCL2** 208-277 volt

**TLP** Twist lock photocell receptacle on hinged door for DF4 fitter only.



**CG3**

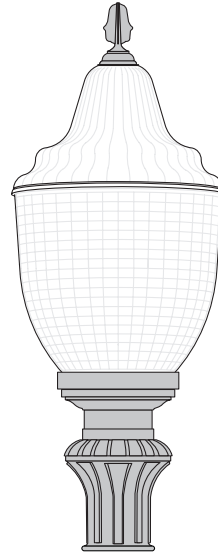
Cast aluminum cage

# Refractive Acorns

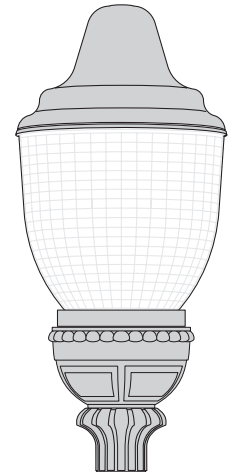
8



DF3-SR3ST-CG1-FNL



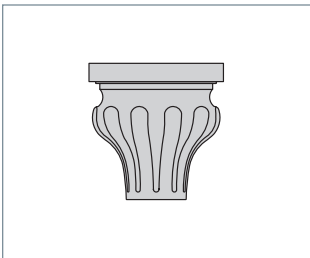
DF3-SR3FNL



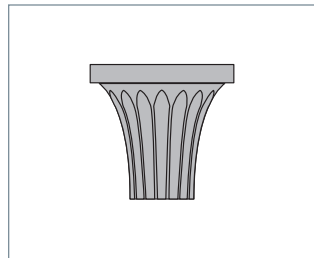
DF4-SR5ST

## Decorative Fitter

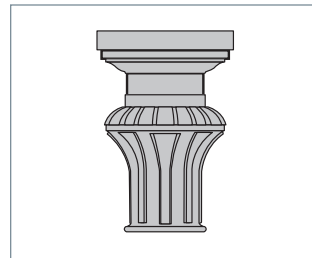
All fitters slip over a three inch diameter by three inch tall tenon.



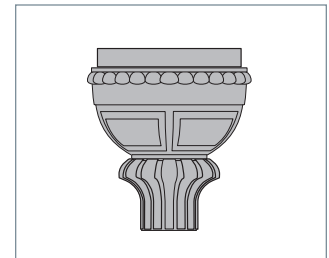
**DF1** HEIGHT  
EPA=1.82 9"/229mm



**DF2** HEIGHT  
EPA=1.77 9.5"/241mm



**DF3** HEIGHT  
EPA=1.91 13.2"/355mm

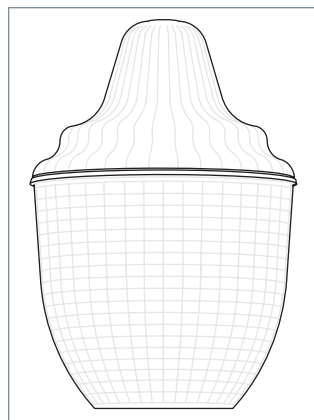


**DF4** HEIGHT  
EPA=1.95 12"/305mm

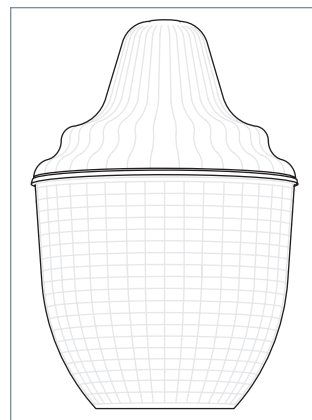
## Refractor Lens

The refractor lenses are molded in DR acrylic in an asymmetric or symmetric light distribution. Three style upper sections are either lensed or spun aluminum painted to match the fitter.

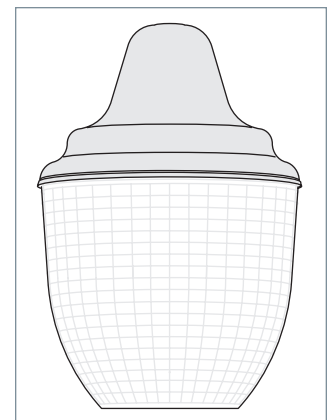
The optional solid or perforated reflector can be added to reduce the upright illumination and improve the downward efficiency of the fixture.



**SR3** type 3 optics  
WIDTH HEIGHT  
16"/406mm 23"/584mm



**SR5** type 5 optics  
WIDTH HEIGHT  
16"/406mm 23"/584mm



**SR3ST** type 3  
**SR5ST** type 5  
WIDTH HEIGHT  
16"/406mm 23"/584mm  
painted to match the fitter

## SAMPLE CATALOG LOGIC

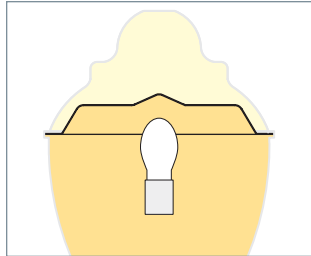
FITTER	REFRACTOR LENS	OPTICS OPTION	WATTAGE/LAMP	VOLTAGE	COLOR	OPTIONS	ARM	POLE	BASE
DF2	SR3	•	100MH	277	HTG	•	•	see Decorative Pole brochure	9
DF4	SR5	SLL	150MH	277	MTB	CG1	•	see Decorative Pole brochure	

\* Arms on page 10.

## Optics Options

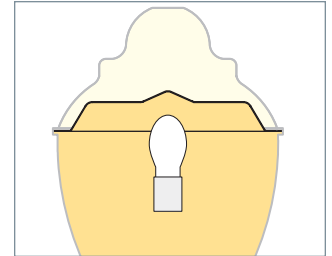
### PLL

Perforated light lid reflector allows some uplight to illuminate the upper lens area.



### SLL

Solid light lid reflector blocks illumination to the upper lens area.



## Wattage/Lamp

CAT. NO. DESCRIPTION

For optimum uniformity, use coated lamps

<b>50MH</b>	50 watt Metal Halide, medium base socket, specify voltage: 120, 277, or multitap.
<b>70MH</b>	70 watt Metal Halide, medium base socket, specify voltage: 120, 208, 240, 277, or multitap.
<b>100MH</b>	100 watt Metal Halide, medium base socket, specify voltage: 120, 208, 240, 277, or multitap.
<b>150MH</b>	150 watt Metal Halide, medium base socket, specify voltage: 120, 208, 240, 277, or multitap.
<b>175MH</b>	175 watt Metal Halide, medium base socket, specify voltage: 120, 208, 240, 277, or multitap.
<b>250MH</b>	250 watt Metal Halide, mogul base socket, specify voltage: 120, 208, 240, 277, or multitap.
<b>50HPS</b>	50 watt High Pressure Sodium, medium base socket, specify voltage: 120, 277, or multitap.
<b>70HPS</b>	70 watt High Pressure Sodium, medium base socket, specify voltage: 120, 208, 240, 277, or multitap.
<b>100HPS</b>	100 watt High Pressure Sodium, medium base socket, specify voltage: 120, 208, 240, 277, or multitap.
<b>150HPS</b>	150 watt High Pressure Sodium, mogul base socket, specify voltage: 120, 208, 240, 277, or multitap.
<b>250HPS</b>	250 watt High Pressure Sodium, mogul base socket, specify voltage: 120, 208, 240, 277, or multitap.

## Colors

Color chart on page 11

BLK	Black
MTB	Matte Black
DBZ	Dark Bronze
DBZ	Dark Green
HTG	Hunter Green
SLV	Silver
WHT	White
GRY	Grey

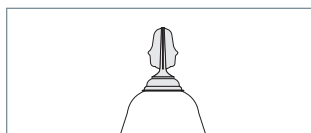
### CC

Custom color - Please provide a min. 3" x 3" color chip.

### RAL

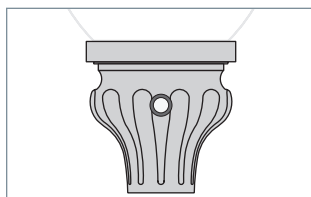
Please provide a four digit RAL color number.

## Options



### FNL

Cast aluminum finial

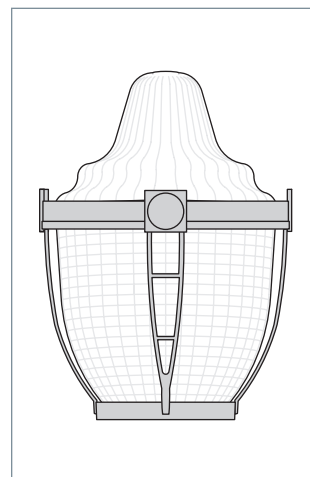


### PHOTOCELL

PCL 120 volt

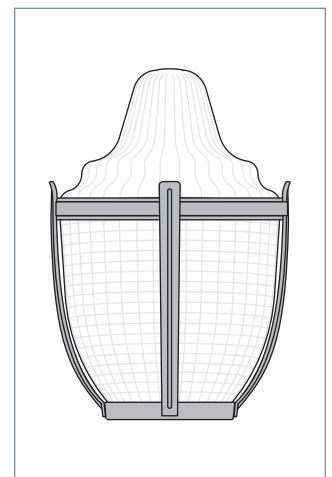
PCL2 208-277 volt

TLP Twist lock photocell receptacle on hinged door for DF4 fitter only.



### CG1

Cast aluminum cage

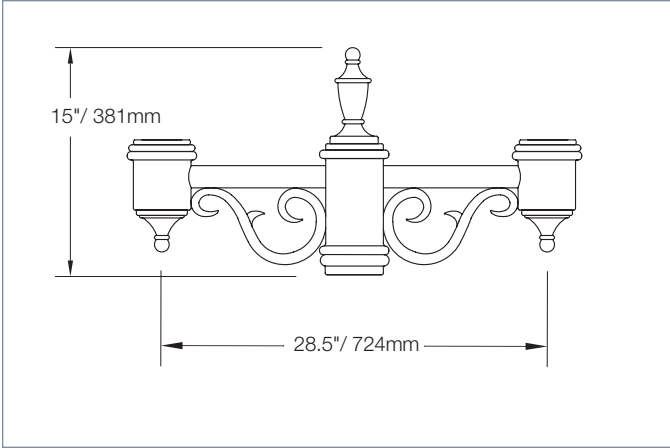
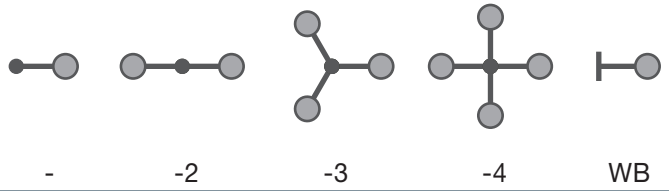


### CG2

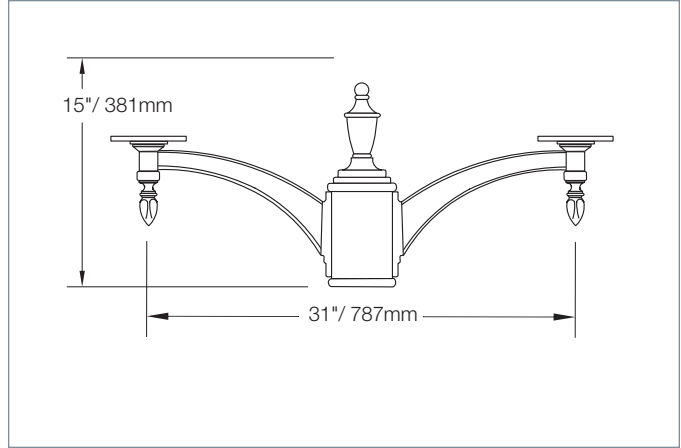
Cast aluminum cage

# Arms

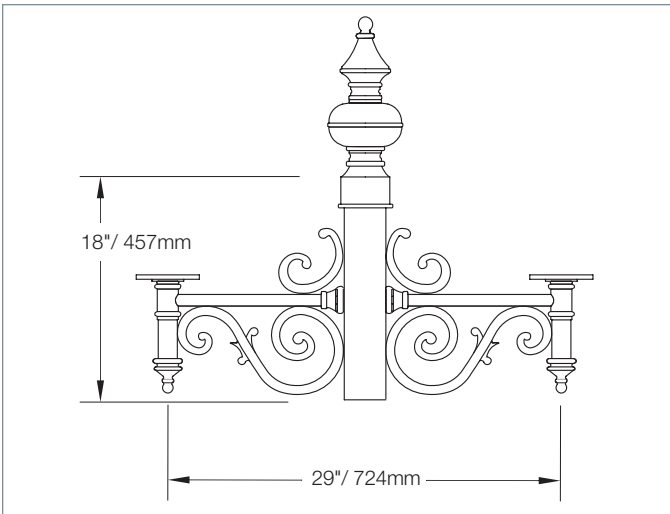
10 All arms have a center post that slips over a 3"/75mm diameter by 3"/75mm tall tenon. Configurations include a matching wall bracket.



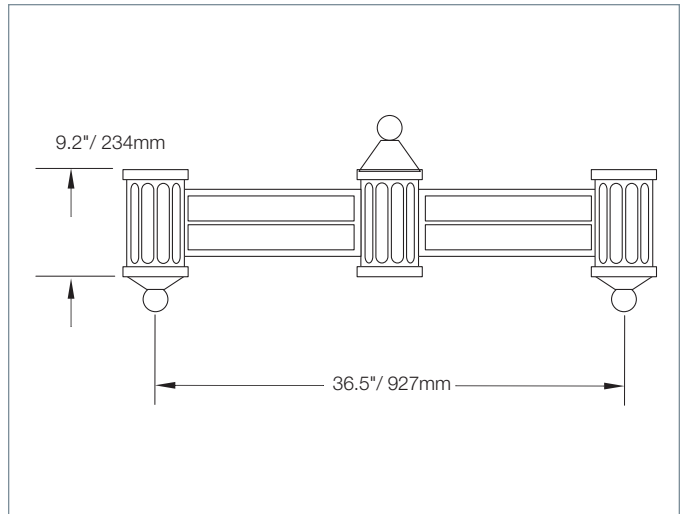
CAT No		WT	EPA
BR7	single arm	9	1.13
BR7-2	twin arm	13	2.10
BR7-3	triple arm	19	2.89
BR7-4	four way arm	24	3.43
WBR7	wall bracket	12	



CAT No		WT	EPA
BR8	single arm	10	.98
BR8-2	twin arm	14	1.80
BR8-3	triple arm	19	2.52
BR7-8	four way arm	25	3.26
WBR8	wall bracket	14	



CAT No		WT	EPA
BR9	single arm	10	1.24
BR9-2	twin arm	14	2.28
BR9-3	triple arm	21	3.14
BR9-4	four way arm	28	3.62
WBR9	wall bracket	13	

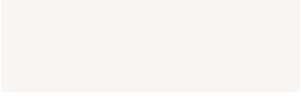


CAT No		WT	EPA
BR4	single arm	20	1.10
BR4-2	twin arm	29	1.81
BR4-3	triple arm	38	2.16
BR4-4	four way arm	49	2.76
WBR4	wall bracket	20	

# Colors

Whatley can match virtually any color. All finishes are a polyester powder coat for maximum protection and color retention .

## Colors

Cat No.	Description	
<b>BLK</b>	Black	
<b>MTB</b>	Matte Black	
<b>DBZ</b>	Dark Bronze	
<b>DGR</b>	Dark Green	
<b>HTG</b>	Hunter Green	
<b>SLV</b>	Silver	
<b>WHT</b>	White	
<b>GRY</b>	Grey	
<b>CC</b>	Custom color - Please provide a min. 3" x 3" color chip.	
<b>RAL</b>	Please provide a four digit RAL color number.	

# Specifications

## HOUSING

The ballast housing shall be cast aluminum with an integral fitter for installation to a pole top tenon or arm. The fitter shall slip over a 3"/75mm tall by 3"/75mm diameter tenon and secure with stainless steel set screws.

The ballast assembly shall be secured to the housing and removable by loosening two screws and the quick disconnect harness. All hardware shall be stainless steel.

## ELECTRICAL

The ballast assembly shall be prewired and tested at the factory. The medium or mogul base sockets shall be 4KV rated. The fixture shall be ETL listed for outdoor, wet location use.

## ARMS

The arm shall be cast aluminum with stainless steel hardware. All arms shall have an integral tenon for mounting the fixture. The arm shall have a center post to slip over a 3"/75mm by 3"/75mm diameter pole tenon.

## FINISH

The fixture shall be finished in a polyester powder coating for long lasting protection.

## WARRANTY

The fixture shall be warranted to be free of defects for one year from the date of shipment from the factory.

Whatley

A **valmont**  COMPANY

