

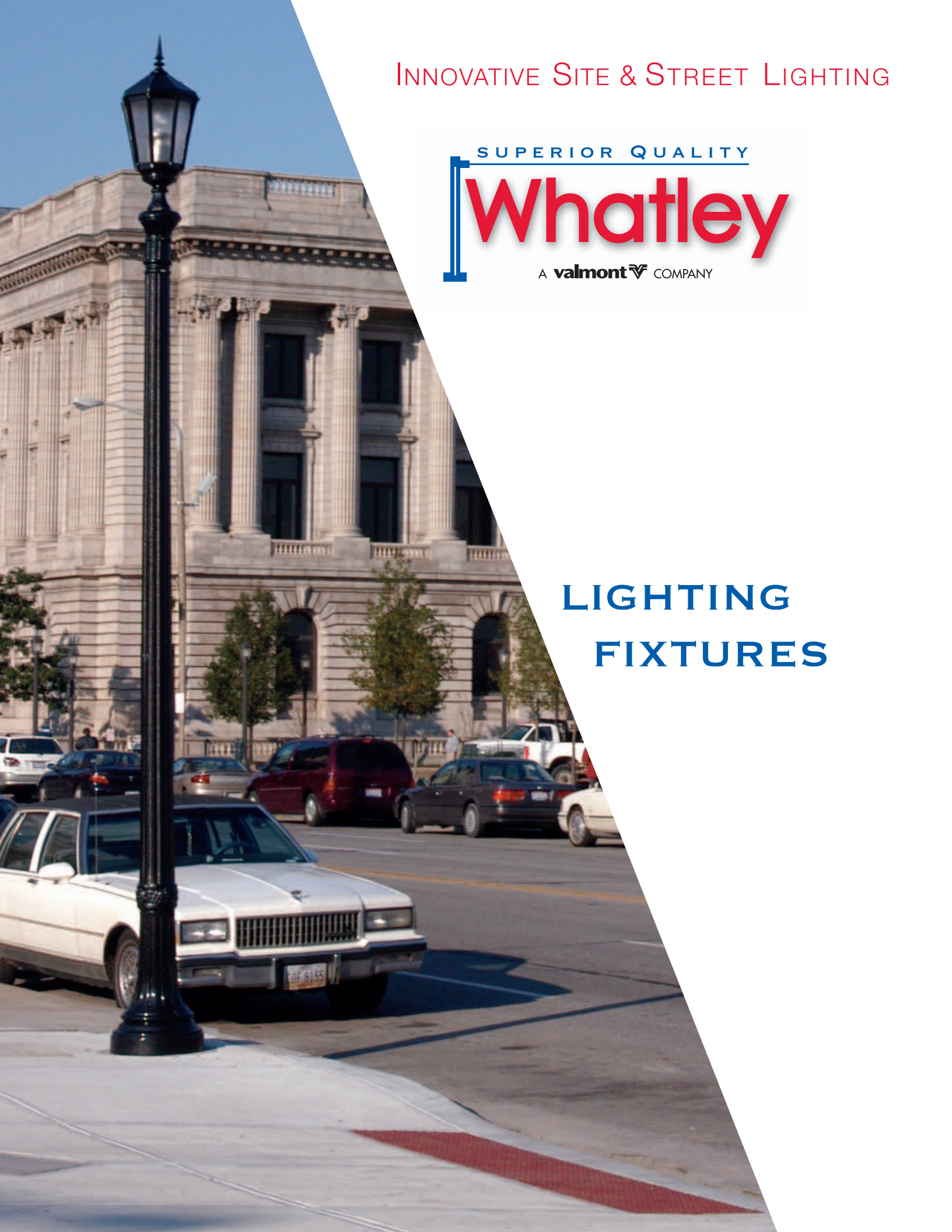
INNOVATIVE SITE & STREET LIGHTING

SUPERIOR QUALITY

Whatley

A **valmont** COMPANY

**LIGHTING
FIXTURES**





SUPERIOR QUALITY

Whatley

A **valmont**  COMPANY

INDEX

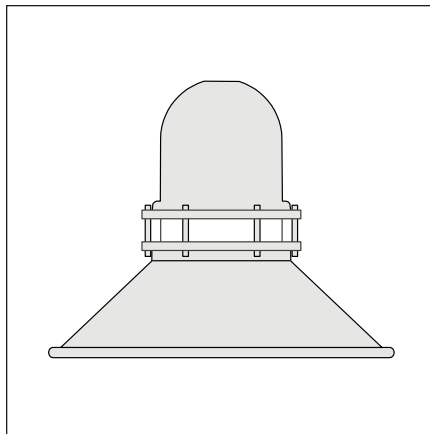
Fixtures	4 to 17
Arms	18
Colors	19
Specifications	19

Contemporary and traditionally styled fixtures for all your site lighting and streetscapes



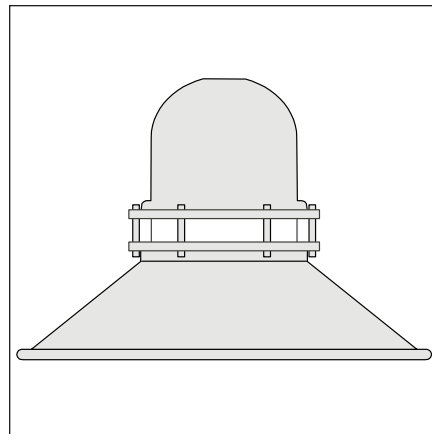
1040SM 1040MD

4



1040SM

HEIGHT	DIAM.	EPA	WT
16"/406mm	20"/510mm	.82	22lbs.



1040MD

HEIGHT	DIAM.	EPA	WT
16"/406mm	24"/610mm	.89	35lbs.

SAMPLE CATALOG LOGIC

MODEL	WATTAGE/LAMP	VOLTAGE	LENS	COLOR	OPTIONS	ARM
1040SM	50MH	120	SB	BLK	LB	RA26SL
1040MD	70MH	277	P	RAL7001	•	RA26SLBA
1040MD	100HPS	120	SB	HTG	•	RA38

* Color chart on page xx.

WATTAGE/LAMP

CAT. NO. DESCRIPTION

50MH	50 watt Metal Halide, medium base socket, specify voltage: 120, 208, 240, 277, or multitap.
70MH	70 watt Metal Halide, medium base socket, specify voltage: 120, 208, 240, 277, or multitap.
100MH	100 watt Metal Halide, medium base socket, specify voltage: 120, 208, 240, 277, or multitap.
50HPS	50 watt High Pressure Sodium, medium base socket, specify voltage: 120, 208, 240, 277, or multitap.
70HPS	70 watt High Pressure Sodium, medium base socket, specify voltage: 120, 208, 240, 277, or multitap.
100HPS	100 watt High Pressure Sodium, medium base socket, specify voltage: 120, 208, 240, 277, or multitap.

LENS

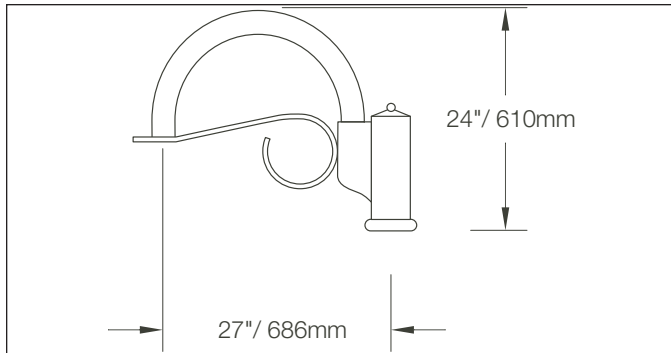
CAT. NO.	DESCRIPTION
SB	Sandblasted tempered glass globe
C	Clear tempered glass globe
P	Prismatic tempered glass globe

OPTIONS

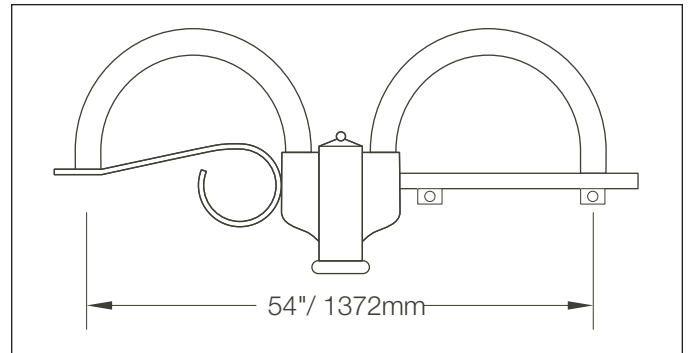
CAT. NO.	DESCRIPTION
HSS	House side shield, 180°
LB	Light blocker, eliminates illumination between louvers in upper housing.
TLP	Twist lock photo control receptacle mounted on the center hub of the RA26 arm.

ARMS FOR 1040 SERIES

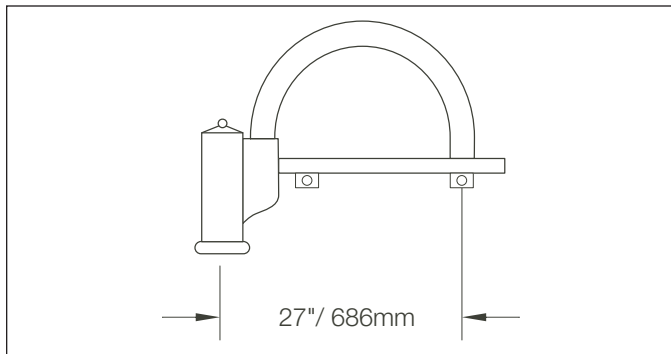
Arms are welded to the fixture head



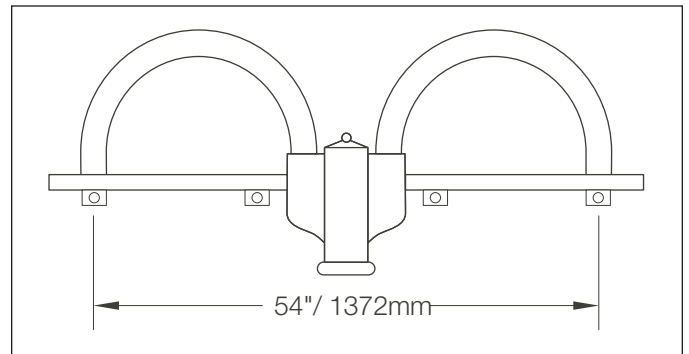
RA26SL	EPA	WT
	.82	12lbs.



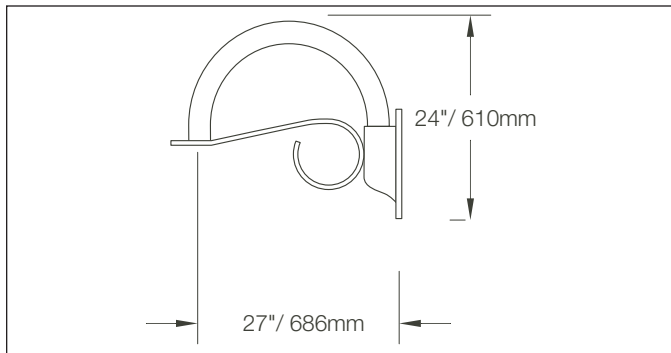
RA26TL	EPA	WT
	1.42	22lbs.



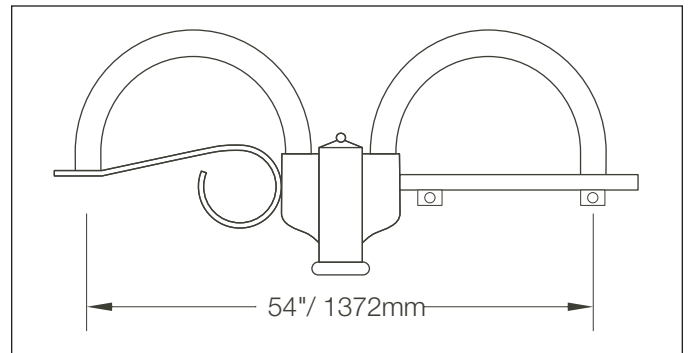
RA26BA	EPA	WT
	.82	12lbs.



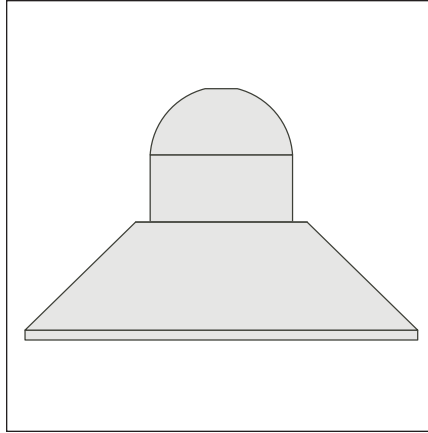
RA26TBA	EPA	WT
	1.42	22lbs.



RA26WB	EPA	WT	Notes
	.82	12lbs.	6" x 12" wall plate

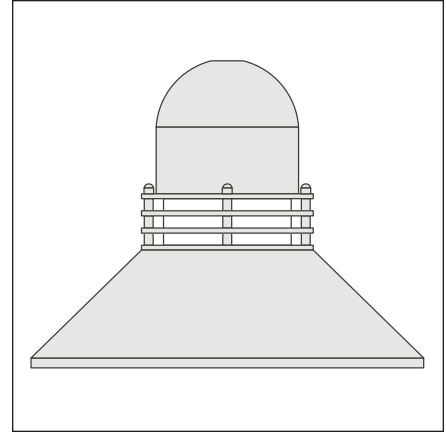


RA26SLBA	EPA	WT
	1.42	22lbs.



1541

HEIGHT	DIAM.	EPA	WT
13"/330mm	20"/510mm	1.23	25lbs.



1542-TR

WITH RINGS

HEIGHT	DIAM.	EPA	WT
16"/406mm	20"/510mm	1.36	27lbs.

SAMPLE CATALOG LOGIC

MODEL	WATTAGE/LAMP	VOLTAGE	OPTICS	COLOR	ARM
1542	50MH	120	HR3	ALM	
1542TR	150MH	277	HR5	BLK	
1542	100HPS	120	HR5	DGR	

* Color chart on page xx.

WATTAGE/LAMP

CAT. NO.	DESCRIPTION
50MH	50 watt Metal Halide, medium base socket, specify voltage: 120, 277, or multitap.
70MH	70 watt Metal Halide, medium base socket, specify voltage: 120, 208, 240, 277, or multitap.
100MH	100 watt Metal Halide, medium base socket, specify voltage: 120, 208, 240, 277, or multitap.
150MH	150 watt Metal Halide, medium base socket, specify voltage: 120, 208, 240, 277, or multitap. <i>1542-TR Model only.</i>
175MH	175 watt Metal Halide, medium base socket, specify voltage: 120, 208, 240, 277, or multitap. <i>1542-TR Model only.</i>
50HPS	50 watt High Pressure Sodium, medium base socket, specify voltage: 120, 277, or multitap.
70HPS	70 watt High Pressure Sodium, medium base socket, specify voltage: 120, 208, 240, 277, or multitap.
100HPS	100 watt High Pressure Sodium, medium base socket, specify voltage: 120, 208, 240, 277, or multitap.
150HPS	150 watt High Pressure Sodium, medium base socket, specify voltage: 120, 208, 240, 277, or multitap.

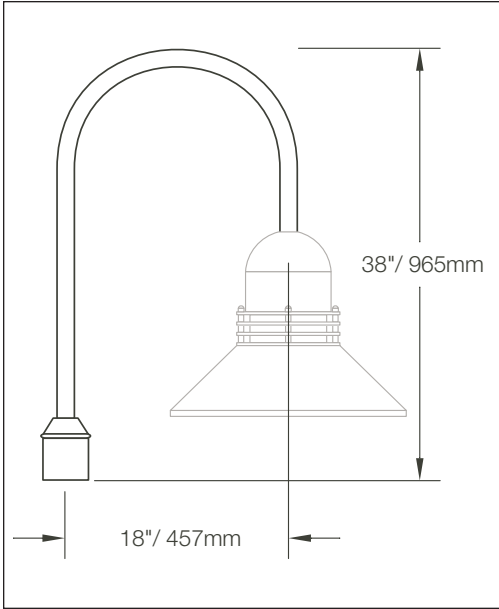
OPTICS

CAT. NO. DESCRIPTION

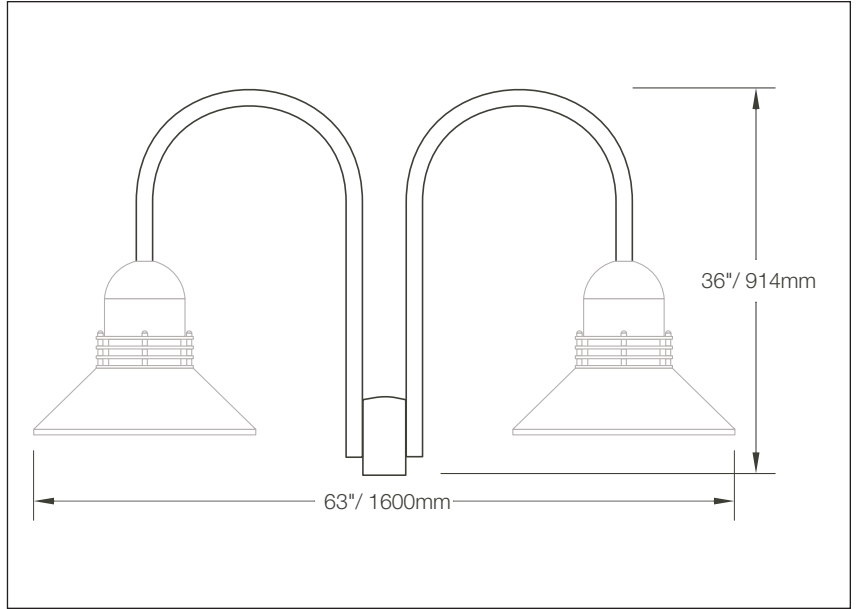
HR3 Type 3 segmented, horizontal reflector, flat tempered glass lens with hinged door.

HR5 Type 5 segmented, horizontal reflector, flat tempered glass lens with hinged door.

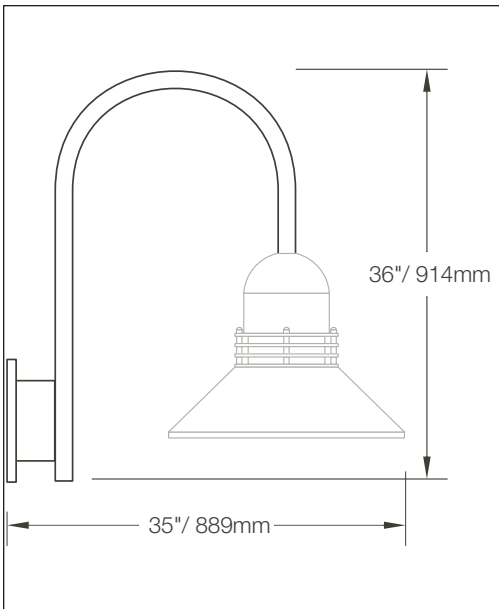
ARMS FOR 1542 SERIES



PT01	EPA	WT
	1.36	14lbs.



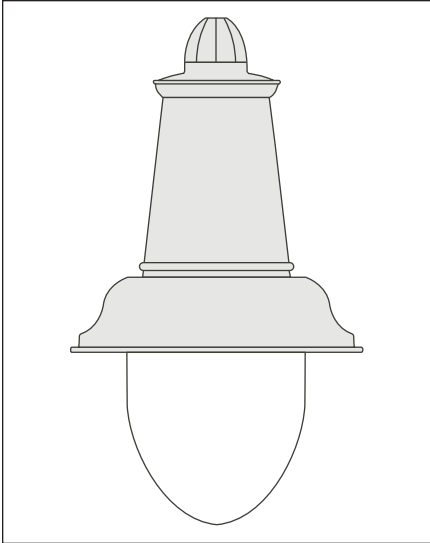
PT12	EPA	WT
	2.84	26lbs.



WBR03	EPA	WT
	1.56	16lbs.

1710

8



1710

HEIGHT	DIAM.	EPA	WT
38"/965mm	16"/406mm	1.73	40lbs.



SAMPLE CATALOG LOGIC

MODEL	WATTAGE/LAMP	VOLTAGE	OPTICS	COLOR	ARM
1710	250MH	277	HR3	ALM	
1710	150HPS	208	HR5	BLK	

* Color chart on page xx.

WATTAGE/LAMP

CAT. NO.	DESCRIPTION
50MH	50 watt Metal Halide, medium base socket, specify voltage: 120, 208, 240, 277, or multitap.
70MH	70 watt Metal Halide, medium base socket, specify voltage: 120, 208, 240, 277, or multitap.
100MH	100 watt Metal Halide, medium base socket, specify voltage: 120, 208, 240, 277, or multitap.
150MH	150 watt Metal Halide, medium base socket, specify voltage: 120, 208, 240, 277, or multitap. .
175MH	175 watt Metal Halide, medium base socket, specify voltage: 120, 208, 240, 277, or multitap. .
250MH	250 watt Metal Halide, medium base socket, specify voltage: 120, 208, 240, 277, or multitap. .
50HPS	50 watt High Pressure Sodium, medium base socket, specify voltage: 120, 208, 240, 277, or multitap.
70HPS	70 watt High Pressure Sodium, medium base socket, specify voltage: 120, 208, 240, 277, or multitap.
100HPS	100 watt High Pressure Sodium, medium base socket, specify voltage: 120, 208, 240, 277, or multitap.
150HPS	150 watt High Pressure Sodium, medium base socket, specify voltage: 120, 208, 240, 277, or multitap.
250HPS	250 watt High Pressure Sodium, medium base socket, specify voltage: 120, 208, 240, 277, or multitap.

OPTICS

CAT. NO.	DESCRIPTION
HR3	Type 3 horizontal reflector, flat glass lens
HR5	Type 5 horizontal reflector, flat glass lens

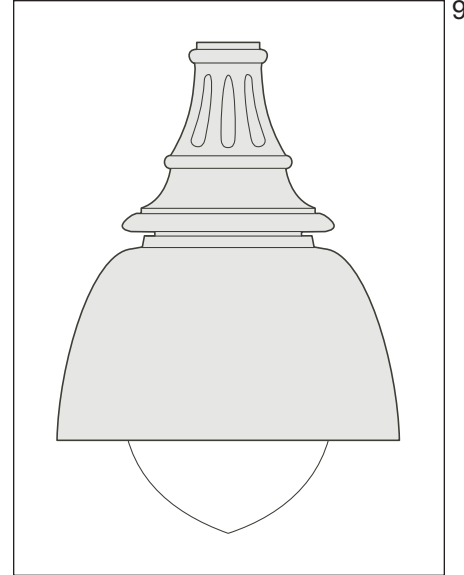
SAMPLE CATALOG LOGIC

MODEL	WATTAGE/LAMP	VOLTAGE	COLOR	ARM
1390	175MH	277	ALM	
1390	100HPS	208	BLK	

* Color chart on page xx.

WATTAGE/LAMP

CAT. NO.	DESCRIPTION
50MH	50 watt Metal Halide, medium base socket, specify voltage: 120, 277, or multitap.
70MH	70 watt Metal Halide, medium base socket, specify voltage: 120, 208, 240, 277, or multitap.
100MH	100 watt Metal Halide, medium base socket, specify voltage: 120, 208, 240, 277, or multitap.
150MH	150 watt Metal Halide, medium base socket, specify voltage: 120, 208, 240, 277, or multitap. .
175MH	175 watt Metal Halide, medium base socket, specify voltage: 120, 208, 240, 277, or multitap. .
50HPS	50 watt High Pressure Sodium, medium base socket, specify voltage: 120, 277, or multitap.
70HPS	70 watt High Pressure Sodium, medium base socket, specify voltage: 120, 208, 240, 277, or multitap.
100HPS	100 watt High Pressure Sodium, medium base socket, specify voltage: 120, 208, 240, 277, or multitap.
150HPS	150 watt High Pressure Sodium, medium base socket, specify voltage: 120, 208, 240, 277, or multitap.



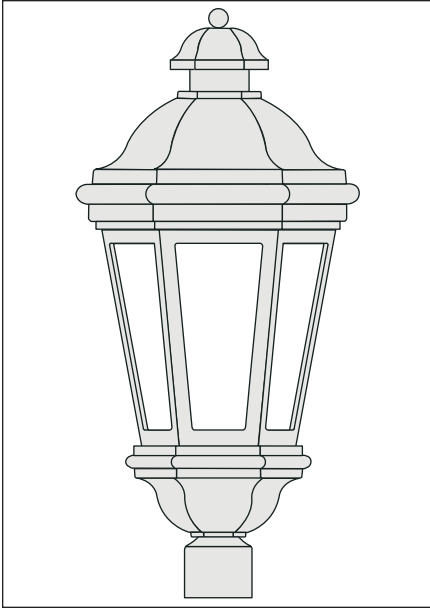
1390

HEIGHT	DIAM.	EPA	WT
31"/787mm	20"/510mm	2.23	30lbs.



6230 Lantern

10



6230

HEIGHT	WIDTH	EPA	WT
30"/762mm	14"/356mm	1.81	36lbs.

Slips over a 3"/75mm od tenon



SAMPLE CATALOG LOGIC

MODEL	LENS/OPTICS	WATTAGE/LAMP	VOLTAGE	COLOR	OPTIONS
6230	HR3	277	100MH	MTB	•
6230	L5	120	150HPS	DGR	HHS120

* Color chart on page xx.

OPTICS

CAT. NO. DESCRIPTION

TA Textured acrylic lens (use a coated lamp).

PA Prismatic acrylic lens (use a coated lamp).

L3 Type 3 distribution glass refractor, clear acrylic lens.

L5 Type 5 distribution glass refractor, clear acrylic lens.

WATTAGE/LAMP

CAT. NO. DESCRIPTION

50MH 50 watt Metal Halide, medium base socket, specify voltage: 120, 208, 240, 277, or multitap.

70MH 70 watt Metal Halide, medium base socket, specify voltage: 120, 208, 240, 277, or multitap.

100MH 100 watt Metal Halide, medium base socket, specify voltage: 120, 208, 240, 277, or multitap.

50HPS 50 watt High Pressure Sodium, medium base socket, specify voltage: 120, 208, 240, 277, or multitap.

70HPS 70 watt High Pressure Sodium, medium base socket, specify voltage: 120, 208, 240, 277, or multitap.

100HPS 100 watt High Pressure Sodium, medium base socket, specify voltage: 120, 208, 240, 277, or multitap.

150HPS 150 watt High Pressure Sodium, medium base socket, specify voltage: 120, 208, 240, 277, or multitap.

OPTIONS

CAT. NO. DESCRIPTION

HSS120 House side shield, 120° shield

HSS180 House side shield, 180° shield

3570 Round Lantern

SAMPLE CATALOG LOGIC

MODEL	LENS/OPTICS	WATTAGE/LAMP	VOLTAGE	COLOR	OPTIONS
3570	HR3	150MH	277	MTB	•
3570	L5	250HPS	120	DGR	•

* Color chart on page xx.

OPTICS

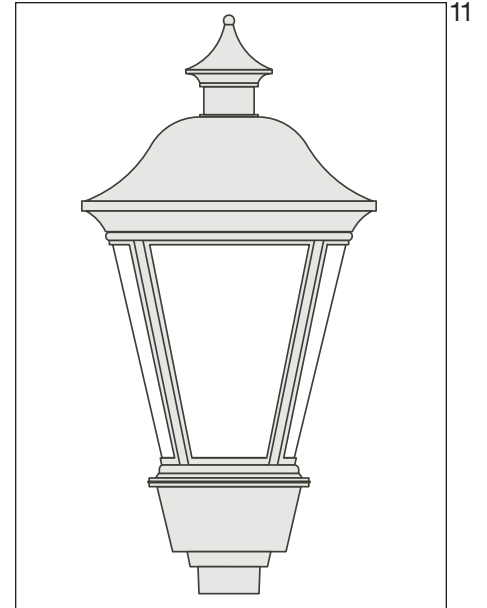
CAT. NO.	DESCRIPTION
L3	Type 3 distribution glass refractor, clear acrylic lens.
L5	Type 5 distribution glass refractor, clear acrylic lens.
HR3	Type 3 horizontal reflector, frosted glass chimney, clear acrylic lens.
HR5	Type 5 horizontal reflector, frosted glass chimney, clear acrylic lens.

WATTAGE/LAMP

CAT. NO.	DESCRIPTION
50MH	50 watt Metal Halide, medium base socket, specify voltage: 120, 277, or multitap.
70MH	70 watt Metal Halide, medium base socket, specify voltage: 120, 208, 240, 277, or multitap.
100MH	100 watt Metal Halide, medium base socket, specify voltage: 120, 208, 240, 277, or multitap.
150MH	150 watt Metal Halide, medium base socket, specify voltage: 120, 208, 240, 277, or multitap.
175MH	175 watt Metal Halide, medium base socket, specify voltage: 120, 208, 240, 277, or multitap.
250MH	250 watt Metal Halide, medium base socket, specify voltage: 120, 208, 240, 277, or multitap. <i>L3 and L5 optics only!</i>
50HPS	50 watt High Pressure Sodium, medium base socket, specify voltage: 120, 277, or multitap.
70HPS	70 watt High Pressure Sodium, medium base socket, specify voltage: 120, 208, 240, 277, or multitap.
100HPS	100 watt High Pressure Sodium, medium base socket, specify voltage: 120, 208, 240, 277, or multitap.
150HPS	150 watt High Pressure Sodium, medium base socket, specify voltage: 120, 208, 240, 277, or multitap.
250HPS	250 watt High Pressure Sodium, medium base socket, specify voltage: 120, 208, 240, 277, or multitap. <i>L3 and L5 optics only!</i>

OPTIONS

CAT. NO.	DESCRIPTION
HSS90	House side shield, 90° shield
HSS180	House side shield, 180° shield



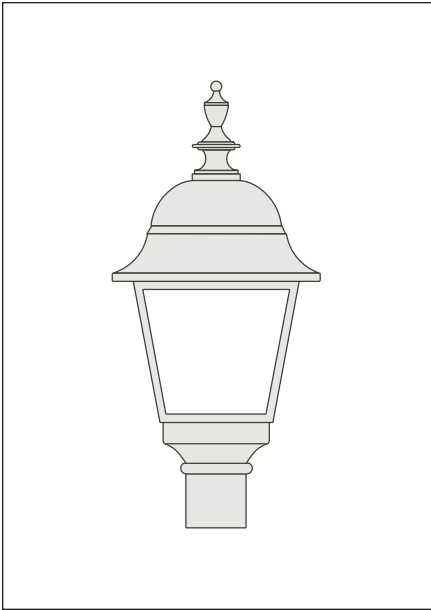
3570

HEIGHT	DIAM.	EPA	WT
17"/432mm	34"/864mm	1.77	45lbs.
Slips over a 3"/75mm od tenon			



2410 Small Square Lantern

12



2410			
HEIGHT	WIDTH	EPA	WT
29"/740mm	15"/380mm	2.03	46lbs.
Slips over a 3"/75mm od tenon			



SAMPLE CATALOG LOGIC

MODEL	OPTICS	WATTAGE/LAMP	VOLTAGE	COLOR	OPTIONS
2410	HR3	100MH	277	MTB	CHM
2410	L5	70HPS	120	DGR	•

* Color chart on page xx.

OPTICS

CAT. NO.	DESCRIPTION
TA	Textured acrylic lens (use a coated lamp).
PA	Prismatic acrylic lens (use a coated lamp).
L3	Type 3 distribution glass refractor, clear acrylic lens.
L5	Type 5 distribution glass refractor, clear acrylic lens.
HR3	Type 3 horizontal reflector, frosted glass chimney, clear acrylic lens.
HR5	Type 5 horizontal reflector, frosted glass chimney, clear acrylic lens.

WATTAGE/LAMP

CAT. NO.	DESCRIPTION
50MH	50 watt Metal Halide, medium base socket, specify voltage: 120, 277, or multitap.
70MH	70 watt Metal Halide, medium base socket, specify voltage: 120, 208, 240, 277, or multitap.
100MH	100 watt Metal Halide, medium base socket, specify voltage: 120, 208, 240, 277, or multitap.
150MH	150 watt Metal Halide, medium base socket, specify voltage: 120, 208, 240, 277, or multitap.
175MH	175 watt Metal Halide, medium base socket, specify voltage: 120, 208, 240, 277, or multitap.
50HPS	50 watt High Pressure Sodium, medium base socket, specify voltage: 120, 277, or multitap.
70HPS	70 watt High Pressure Sodium, medium base socket, specify voltage: 120, 208, 240, 277, or multitap.
100HPS	100 watt High Pressure Sodium, medium base socket, specify voltage: 120, 208, 240, 277, or multitap.
150HPS	150 watt High Pressure Sodium, medium base socket, specify voltage: 120, 208, 240, 277, or multitap.

OPTIONS

CAT. NO.	DESCRIPTION
HSS90	House side shield, 90° shield
HSS180	House side shield, 180° shield
CHM	Frosted glass chimney for use with HR3 and HR5 optics only.

Large Square Lantern 2420

SAMPLE CATALOG LOGIC

MODEL	LENS/OPTICS	WATTAGE/LAMP	VOLTAGE	COLOR	OPTIONS
2420	HR5	10MH	250MH	MTB	•
2420	L5	250HPS	208	DGR	•

* Color chart on page xx.

OPTICS

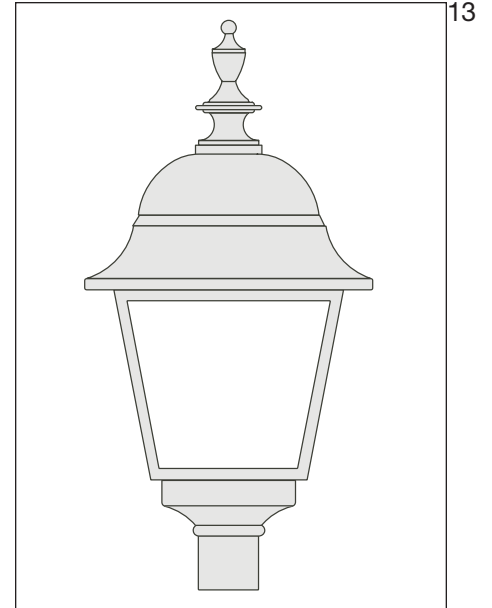
CAT. NO.	DESCRIPTION
TA	Textured acrylic lens (use a coated lamp).
PA	Prismatic acrylic lens (use a coated lamp).
L3	Type 3 distribution glass refractor, clear acrylic lens.
L5	Type 5 distribution glass refractor, clear acrylic lens.
HR3	Type 3 horizontal reflector, frosted glass chimney, clear acrylic lens.
HR5	Type 5 horizontal reflector, frosted glass chimney, clear acrylic lens.

WATTAGE/LAMP

CAT. NO.	DESCRIPTION
50MH	50 watt Metal Halide, medium base socket, specify voltage: 120, 277, or multitap.
70MH	70 watt Metal Halide, medium base socket, specify voltage: 120, 208, 240, 277, or multitap.
100MH	100 watt Metal Halide, medium base socket, specify voltage: 120, 208, 240, 277, or multitap.
150MH	150 watt Metal Halide, medium base socket, specify voltage: 120, 208, 240, 277, or multitap.
175MH	175 watt Metal Halide, medium base socket, specify voltage: 120, 208, 240, 277, or multitap.
250MH	250 watt Metal Halide, medium base socket, specify voltage: 120, 208, 240, 277, or multitap.
50HPS	50 watt High Pressure Sodium, medium base socket, specify voltage: 120, 277, or multitap.
70HPS	70 watt High Pressure Sodium, medium base socket, specify voltage: 120, 208, 240, 277, or multitap.
100HPS	100 watt High Pressure Sodium, medium base socket, specify voltage: 120, 208, 240, 277, or multitap.
150HPS	150 watt High Pressure Sodium, medium base socket, specify voltage: 120, 208, 240, 277, or multitap.
250HPS	250 watt High Pressure Sodium, medium base socket, specify voltage: 120, 208, 240, 277, or multitap.

OPTIONS

CAT. NO.	DESCRIPTION
HSS90	House side shield, 90° shield
HSS180	House side shield, 180° shield
FNL	Cast aluminum finial
CHM	Frosted glass chimney for use with HR3 and HR5 optics only.



2420

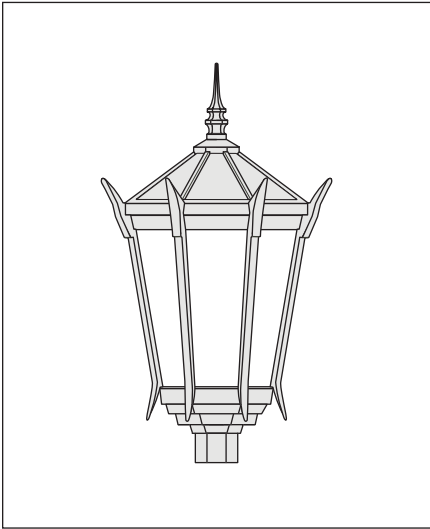
HEIGHT	WIDTH	EPA	WT
35"/889mm	18"/457mm	2.44	46lbs.

Slips over a 3"/75mm od tenon



3420 Lantern

14



3420

HEIGHT	WIDTH	EPA	WT
15"/381mm	26"/660mm	1.22	24lbs.

Slips over a 3"/75mm od tenon



SAMPLE CATALOG LOGIC

MODEL	LENS/OPTICS	WATTAGE/LAMP	VOLTAGE	COLOR	OPTIONS
3410	TA	277	50MH	MTB	•
3420	L5	120	100HPS	DGR	HHS120

* Color chart on page xx.

OPTICS

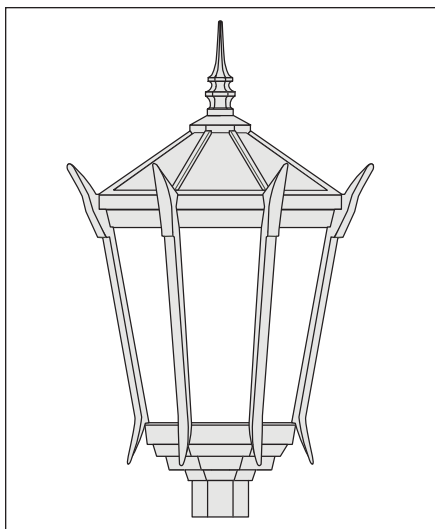
CAT. NO.	DESCRIPTION
TA	Textured acrylic lens (use a coated lamp).
CA	Clear acrylic lens (use a coated lamp).
PA	Prismatic acrylic lens (use a coated lamp).
WA	White acrylic lens (use a clear lamp).
L3	Type 3 distribution glass refractor, clear acrylic lens.
L5	Type 5 distribution glass refractor, clear acrylic lens.

WATTAGE/LAMP

CAT. NO.	DESCRIPTION
50MH	50 watt Metal Halide, medium base socket, specify voltage: 120, 208, 240, 277, or multitap.
70MH	70 watt Metal Halide, medium base socket, specify voltage: 120, 208, 240, 277, or multitap.
100MH	100 watt Metal Halide, medium base socket, specify voltage: 120, 208, 240, 277, or multitap.
50HPS	50 watt High Pressure Sodium, medium base socket, specify voltage: 120, 208, 240, 277, or multitap.
70HPS	70 watt High Pressure Sodium, medium base socket, specify voltage: 120, 208, 240, 277, or multitap.
100HPS	100 watt High Pressure Sodium, medium base socket, specify voltage: 120, 208, 240, 277, or multitap.

OPTIONS

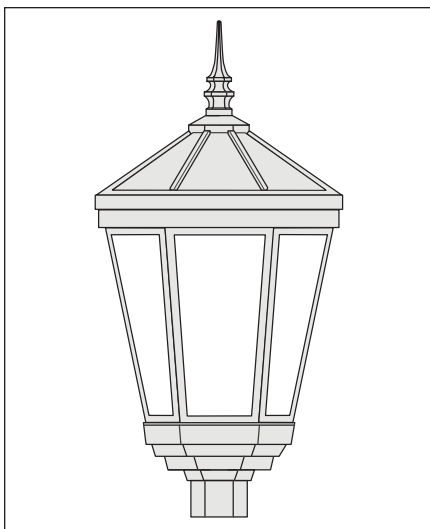
CAT. NO.	DESCRIPTION
HSS120	120° house side shield
HSS180	180° house side shield



3430

HEIGHT	WIDTH	EPA	WT
21"/533mm	34"/864mm	2.3	45lbs.

Slips over a 3"/75mm od tenon



4800

HEIGHT	WIDTH	EPA	WT
16"/406mm	34"/864mm	2.29	42lbs.

Slips over a 3"/75mm od tenon



15

OPTICS

CAT. NO. DESCRIPTION

TA	Textured acrylic lens (use a coated lamp).
CA	Clear acrylic lens (use a coated lamp).
PA	Prismatic acrylic lens (use a coated lamp).
WA	White acrylic lens (use a clear lamp).
L3	Type 3 distribution glass refractor, clear acrylic lens.
L5	Type 5 distribution glass refractor, clear acrylic lens.

WATTAGE/LAMP

CAT. NO. DESCRIPTION

70MH	70 watt Metal Halide, medium base socket, specify voltage: 120, 208, 240, 277, or multitap.
100MH	100 watt Metal Halide, medium base socket, specify voltage: 120, 208, 240, 277, or multitap.
150MH	150 watt Metal Halide, medium base socket, specify voltage: 120, 208, 240, 277, or multitap.
175MH	175 watt Metal Halide, medium base socket, specify voltage: 120, 208, 240, 277, or multitap.
250MH	250 watt Metal Halide, mogul base socket, specify voltage: 120, 208, 240, 277, or multitap. For use with L3 or L5 optics only!
70HPS	70 watt High Pressure Sodium, medium base socket, specify voltage: 120, 208, 240, 277, or multitap.
100HPS	100 watt High Pressure Sodium, medium base socket, specify voltage: 120, 208, 240, 277, or multitap.
150HPS	150 watt High Pressure Sodium, medium base socket, specify voltage: 120, 208, 240, 277, or multitap.
250HPS	250 watt High Pressure Sodium, mogul base socket, voltage: 120, 208, 240, 277, or multitap. For use with L3 or L5 optics only!



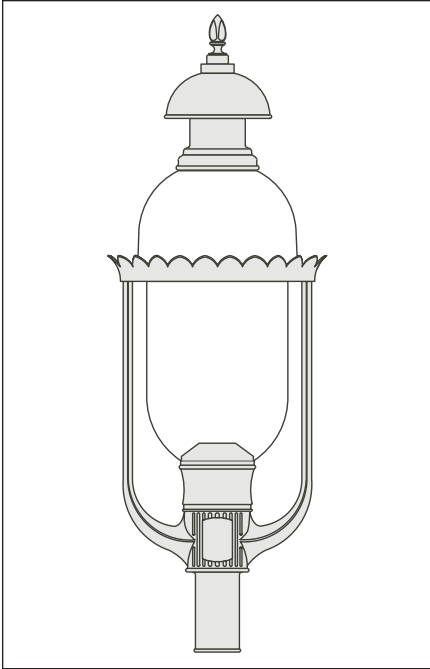
OPTIONS

CAT. NO. DESCRIPTION

HSS120	120° house side shield
HSS180	180° house side shield

2310

16



3230

HEIGHT	DIAM.	EPA	WT
50"/1270mm	18"/457mm	2.33	47lbs.

Slips over a 3"/75mm od tenon



SAMPLE CATALOG LOGIC

MODEL	WATTAGE/LAMP	VOLTAGE	OPTICS	COLOR
3230	100MH	277	HR3	MTB
3230	150HPS	120	V	DGR

* Color chart on page xx.

OPTICS

CAT. NO.	DESCRIPTION
III	Type 3 distribution glass refractor, clear acrylic lens.
V	Type 5 distribution glass refractor, clear acrylic lens.
HR3	Type 3 horizontal reflector, includes frosted glass chimney.
HR5	Type 5 horizontal reflector, includes frosted glass chimney.
WH	Opal acrylic lens

WATTAGE/LAMP

CAT. NO.	DESCRIPTION
50MH	50 watt Metal Halide, medium base socket, specify voltage: 120, 277, or multitap.
70MH	70 watt Metal Halide, medium base socket, specify voltage: 120, 208, 240, 277, or multitap.
100MH	100 watt Metal Halide, medium base socket, specify voltage: 120, 208, 240, 277, or multitap.
150MH	150 watt Metal Halide, medium base socket, specify voltage: 120, 208, 240, 277, or multitap. <i>1542-TR Model only.</i>
175MH	175 watt Metal Halide, medium base socket, specify voltage: 120, 208, 240, 277, or multitap. <i>1542-TR Model only.</i>
50HPS	50 watt High Pressure Sodium, medium base socket, specify voltage: 120, 277, or multitap.
70HPS	70 watt High Pressure Sodium, medium base socket, specify voltage: 120, 208, 240, 277, or multitap.
100HPS	100 watt High Pressure Sodium, medium base socket, specify voltage: 120, 208, 240, 277, or multitap.
150HPS	150 watt High Pressure Sodium, medium base socket, specify voltage: 120, 208, 240, 277, or multitap.

SAMPLE CATALOG LOGIC

MODEL	WATTAGE/LAMP	VOLTAGE	OPTICS	COLOR	OPTIONS
1510	100MH	277	HR3	MTB	CH
1510	150HPS	120	V	DGR	•

* Color chart on page xx.

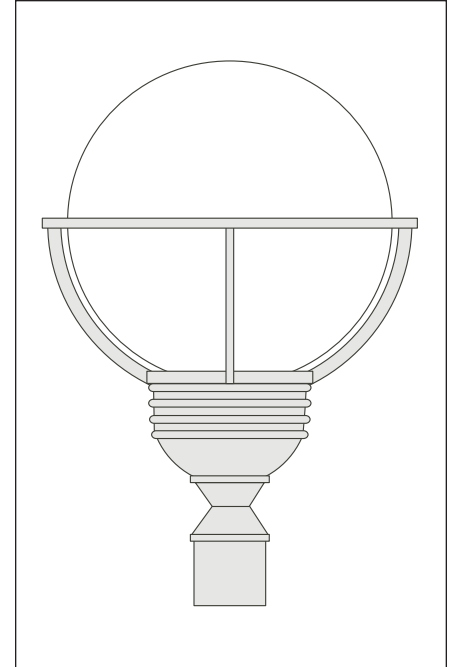
OPTICS

CAT. NO.	DESCRIPTION
CA	Clear 18" diameter acrylic lens (use a coated lamp).
WA	Opal 18" diameter acrylic lens (use a clear lamp).
L3	Type 3 distribution glass refractor, clear 18" diameter acrylic lens.
L5	Type 5 distribution glass refractor, clear 18" diameter acrylic lens.
LVR1	Low glare tiered louver type 5, clear 18" diameter acrylic lens.

WATTAGE/LAMP

CAT. NO.	DESCRIPTION
50MH	50 watt Metal Halide, medium base socket, specify voltage: 120, 277, or multitap.
70MH	70 watt Metal Halide, medium base socket, specify voltage: 120, 208, 240, 277, or multitap.
100MH	100 watt Metal Halide, medium base socket, specify voltage: 120, 208, 240, 277, or multitap.
150MH	150 watt Metal Halide, medium base socket, specify voltage: 120, 208, 240, 277, or multitap. <i>1542-TR Model only.</i>
175MH	175 watt Metal Halide, medium base socket, specify voltage: 120, 208, 240, 277, or multitap. <i>1542-TR Model only.</i>
50HPS	50 watt High Pressure Sodium, medium base socket, specify voltage: 120, 277, or multitap.
70HPS	70 watt High Pressure Sodium, medium base socket, specify voltage: 120, 208, 240, 277, or multitap.
100HPS	100 watt High Pressure Sodium, medium base socket, specify voltage: 120, 208, 240, 277, or multitap.
150HPS	150 watt High Pressure Sodium, medium base socket, specify voltage: 120, 208, 240, 277, or multitap.

17



3230

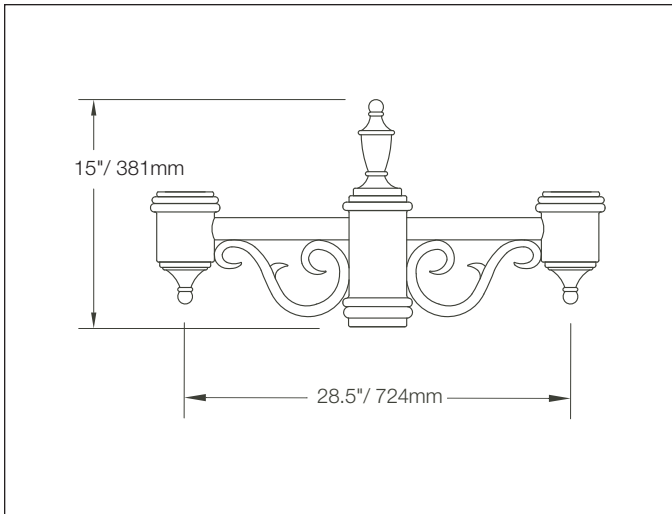
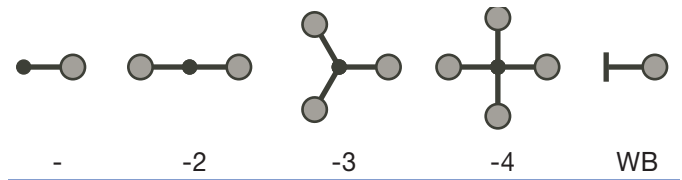
HEIGHT	DIAM.	EPA	WT
29"/737mm	21"/533mm	2.33	47lbs.

Slips over a 3"/75mm od tenon

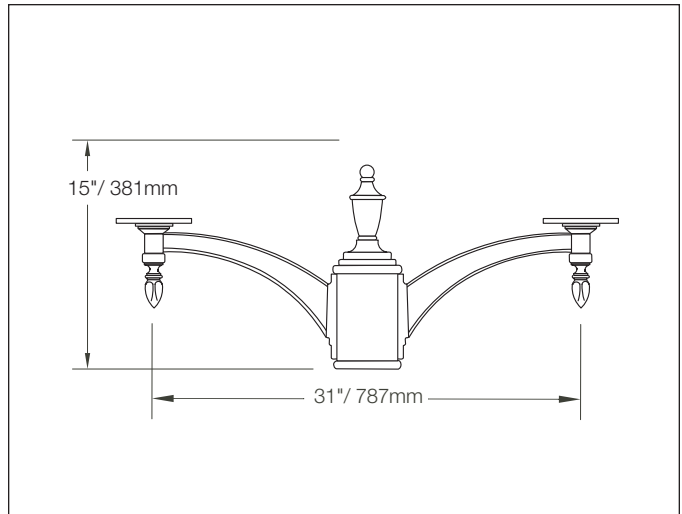


Decorative Arms

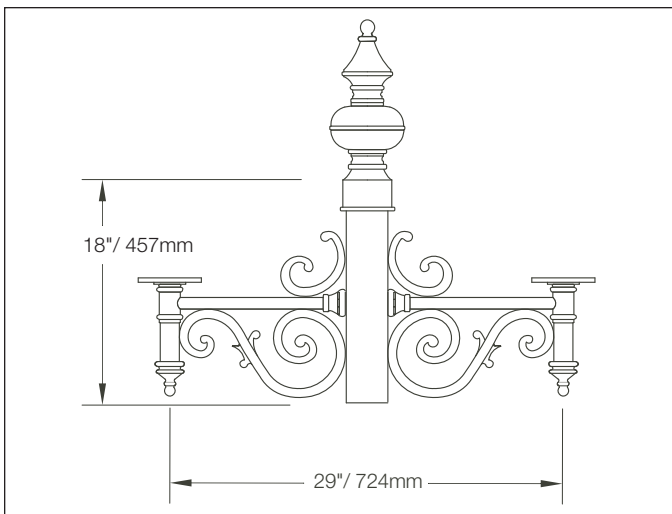
18 All arms have a center post that slips over a 3"/75mm diameter tenon.
Configurations include a matching wall bracket.



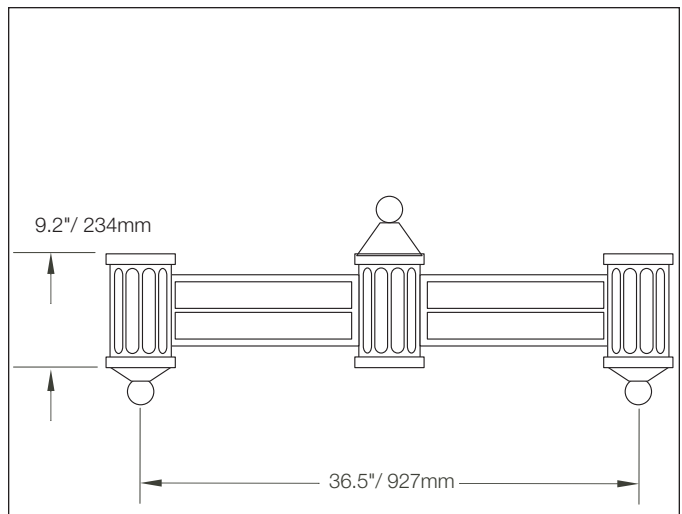
BR7	single arm	BR7-4	four way arm
BR7-2	twin arm	WBR7	wall bracket
BR7-3	triple arm		



BR8	single arm	BR7-8	four way arm
BR8-2	twin arm	WBR8	wall bracket
BR8-3	triple arm		



BR9	single arm	BR9-4	four way arm
BR9-2	twin arm	WBR9	wall bracket
BR9-3	triple arm		







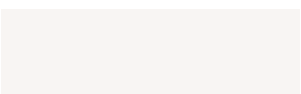



BR4	single arm	BR4-4	four way arm
BR4-2	twin arm	WBR4	wall bracket
BR4-3	triple arm		

Colors

Whatley can match virtually any color. All finishes are medium gloss urethane for maximum protection and color retention when exposed to the sun and environmental contaminants.

Colors

Cat No.	Description	
BLK	Black	
MTB	Matte Black	
DBZ	Dark Bronze	
DGR	Dark Green	
HTG	Hunter Green	
ALM	Natural Aluminum	
WHT	White	
GRY	Grey	
CC	Custom color - Please provide a min. 3" x 3" color chip.	
RAL	Please provide a four digit RAL color number.	

Specifications

FIXTURE

All fixture housing components shall be cast aluminum. Standard fitters shall slip over a three inch diameter by three inch tall tenon and be secured with stainless steel cone point set screws.

The fixture shall be finished in a polyester powder coat finish. All hardware shall be stainless steel.

ELECTRICAL

The balast assembly shall be removed by loosening two screws and releasing the quick disconnect wiring harness. All ballasts shall be high power factor, core and coil type, prewired and tested. All electrical components shall be UL recognized and be an integral part of the luminaire. All sockets are pulse rated with a porcelain body. The luminaire shall carry an ETL label "Suitable for Wet Location Use".

LENSES

The lenses shall be impact resistant, lighting grade acrylic. The lenses shall be resistant to UV exposure and shall not become yellow or brittle from exposure. Glass lenses shall be made of tempered, borosilicate glass.

Internal reflectors shall be aluminum.

WARRANTY

The products shall be warranted to be free of defects for one year from the date of shipment from the factory.



SUPERIOR QUALITY

Whatley

A **valmont** COMPANY



A brilliant past –An even brighter future

Innovation is our foundation. More than 40 years ago, Whatley introduced a fiberglass filament-wound lighting pole. This patented design offered several unprecedented advantages. It is non-corrosive for a virtually maintenance-free, long life cycle. Non-conductive for the utmost safety, lightweight for easy, economical installation with unparalleled strength and durability, Whatley lighting poles became the ultimate choice across America.

Today, Whatley is a leading supplier of composite lighting poles and lamp posts specified by utilities, municipalities, developers, electrical engineers, landscape architects and governmental agencies from coast to coast. As part of Valmont Industries Inc., we have the knowledge, expertise and resources to provide the highest quality precision-engineered products and services in the industry. As we continue to grow, expect a continued dedication to quality, service and the innovation that started it all.

Earning your trust

Superior quality has made Whatley composite lighting poles and ornamental lamp posts the first choice of municipalities, landscape architects and developers. But no less important is our commitment to reliable customer service and support. That means we're always available to listen to your needs. We provide consistent on-time delivery. And we get it right the first time — a promise backed by an extensive written product warranty.

For more information, call toll-free 877.959.7678 or visit www.whatley.com.

Whatley, Inc.
3550 Odessa Way
Aurora, CO 80011

office 303-287-8053
fax 303-286-7216

toll free 877-959-7678

whatley.com

Copyright 2009